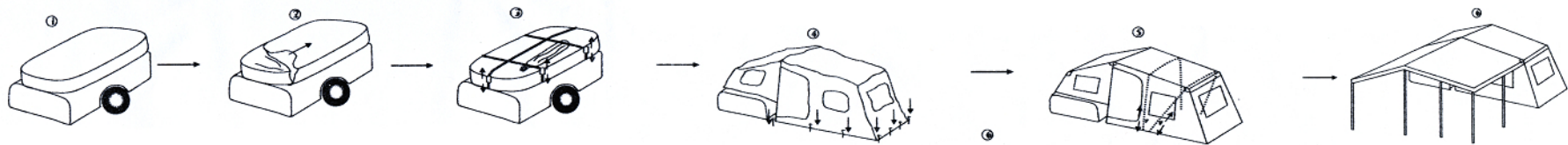




CAMPER TRAILER TENT INSTRUCTIONS



PRE USE INSTRUCTIONS

Before using your tent, it should be seasoned to make it fully waterproof. This involves erecting the tent (see assembly instructions), soaking it completely with water by either rain or hose and letting the tent dry. It is the drying process that waterproofs the tent. Ensure all windows and doors are closed.

This will allow the fabric and stitching to shrink and take up. Some water may wick through the stitching during this process. If any wicking occurs in the future, rub the stitching with a wax stick which will seal the area (available at camping stores).

Repeat the wetting and drying process 2 or 3 times. The tent should now be waterproof. Allow tent to dry completely. Clean before rolling and storage.

Always make sure that your tent is completely dry before packing away. Any moisture in the fabric will cause it to mouldy and dramatically reduce its life. Mildewed fabric or fabric damaged by mildew is not covered under warranty.

Never store a wet and/or soiled tent, as mildew and/or Corrosion will form within a few days.

This condition is not covered by manufacture's warranty

ASSEMBLY INSTRUCTIONS

Step 1. Select a suitable location to erect your camper trailer, ensure that surface is solid and as level as possible.

Step 2. Put the bottom cover along with the aluminium slip.

Step 3. Remove protective PVC cover and store away.

Step 4. Release plastic buckles and store webbing away.

Step 5. Fold out canvas section, and stretch out as shown in figure 4 and peg out.

Step 6. Unzip door and enter tent, check that the upright pole 2 & 3 and 4 are located in canvas pockets positioned on the lower half of the internal walls. Extend pole 2 then pole 3 & 4, ensuring that the canvas is not being over stretched. Climb up into the sleeping section and attach poles 13,

Step 7. Extend out the canvas awning and erect awning poles. Attach pole 6 to pole 2, pole 3 and pole 4. And then

Attach pole 6 to the pole 12, then to pole 7.

Step 8. Attach pole 6 & 7 between poles 11, position remaining pole 11 into eyelets in canvas awning.

Step 9. Tension awning poles, attach guy ropes and peg out. Walk around trailer inspecting all poles and peg points to ensure that the canvas is light without being over.

PULL DOWN INSTRUCTIONS

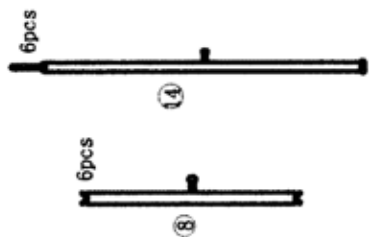
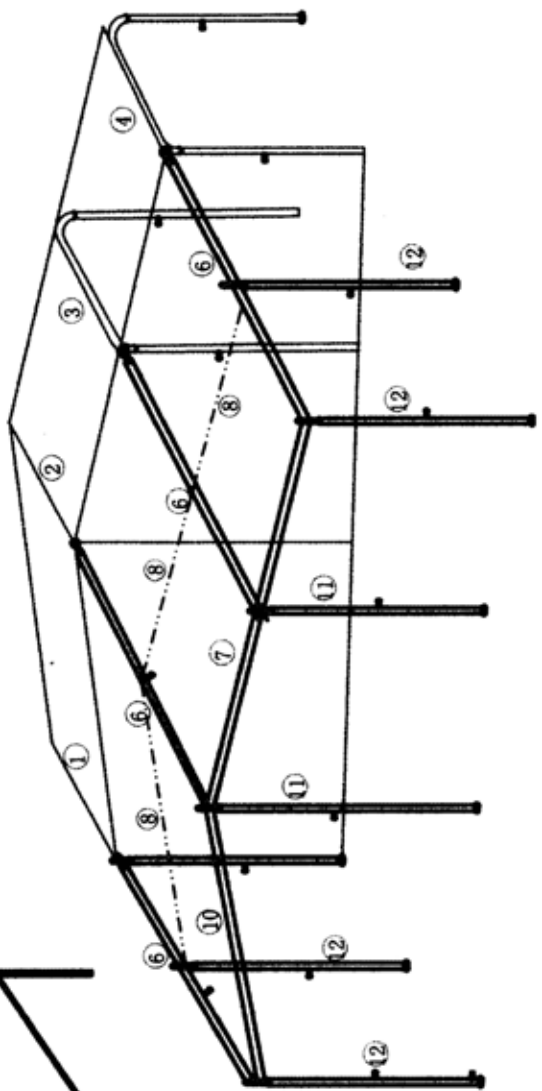
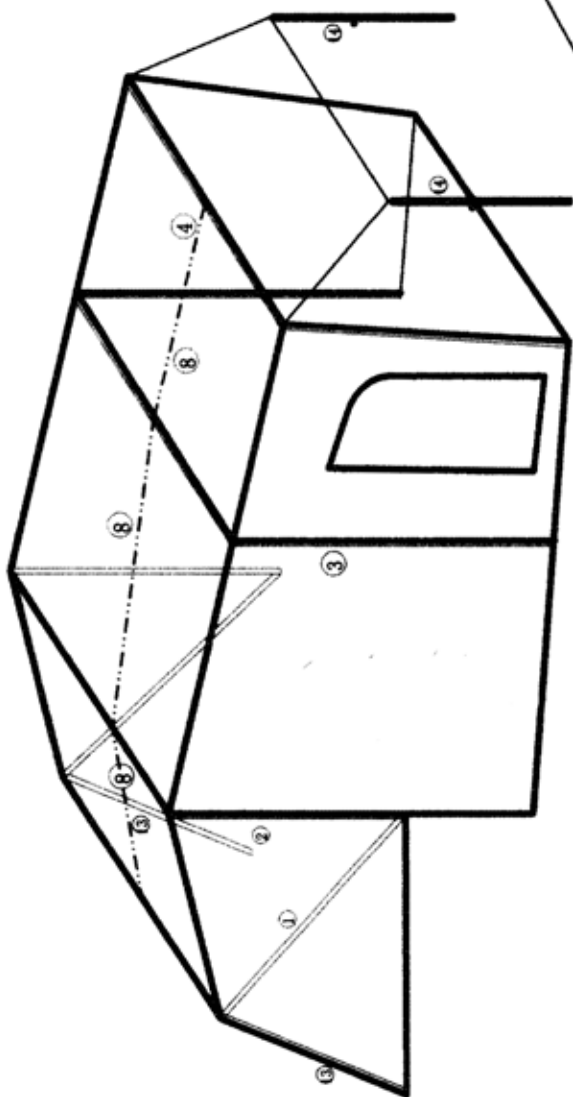
Step 1. Brush down canvas and remove any dirt and grime. Close all windows and disassemble awning pole and pull awning canvas back over roof of tent.

Step 2. Enter tent and remove pole 13, store under mattress. Release pole 2 & 3 & 4 and allow the extension poles to collapse.

Step 3. Leave bottom of door unzipped so as to allow air easily exit the tent when being folded, remove all tent pegs and guy ropes.

Step 4. Starting with pole 10, fold each section back on to top of trailer taking care that canvas is flattened out. When the pole 3 and 4 is folded down it should leave the PVC floor exposed at the top of the trailer.

Step 5. Attach webbing and plastic buckles across trailer and tension, fold out PVC protective cover and secure over camper trailer.



used for windows